

**Specifications**

**XS-L12S**  
 Speaker  
 Woofer 30 cm (12 in), cone type  
 Peak power 1,500 W  
 Rated power 380 W  
 Impedance 4 Ω  
 Sensitivity 89 dB/W/m  
 Frequency response 18 – 2,000 Hz  
 Mass Approx. 4.7 kg (10 lb 6 oz) per speaker  
 Supplied accessory Parts for installation

**XS-L10S**  
 Speaker  
 Woofer 25 cm (10 in), cone type  
 Peak power 1,200 W  
 Rated power 330 W  
 Impedance 4 Ω  
 Sensitivity 88 dB/W/m  
 Frequency response 18 – 2,500 Hz  
 Mass Approx. 3.9 kg (8 lb 10 oz) per speaker  
 Supplied accessory Parts for installation

*Design and specifications are subject to change without notice.*

**eco info** Corrugated cardboard is used for the packaging cushions.

**Especificaciones**

**XS-L12S**  
 Altavoz  
 Altavoz de graves de 30 cm, tipo cónico  
 Potencia máxima 1 500 W  
 Potencia nominal 380 W  
 Impedancia 4 Ω  
 Sensibilidad 89 dB/W/m  
 Respuesta de frecuencia 18 – 2 000 Hz  
 Peso Aprox. 4.7 kg por altavoz  
 Accesorios suministrados Componentes para instalación

**XS-L10S**  
 Altavoz  
 Altavoz de graves de 25 cm, tipo cónico  
 Potencia máxima 1 200 W  
 Potencia nominal 330 W  
 Impedancia 4 Ω  
 Sensibilidad 88 dB/W/m  
 Respuesta de frecuencia 18 – 2 500 Hz  
 Peso Aprox. 3.9 kg por altavoz  
 Accesorios suministrados Componentes para instalación

*Diseño y especificaciones sujetos a cambio sin previo aviso.*

**eco info** Se ha utilizado cartón ondulado como material de relleno y de protección para este producto.

**Caractéristiques techniques**

**XS-L12S**  
 Haut-parleur  
 Haut-parleur de graves 30 cm (12 po), type en cône  
 Puissance de crête 1 500 W  
 Puissance nominale 380 W  
 Impédance 4 Ω  
 Sensibilité 89 dB/W/m  
 Réponse en fréquence 18 – 2 000 Hz  
 Poids Env. 4.7 kg (10 lb 6 oz) par haut-parleur  
 Accessoires fournis Eléments d'installation

**XS-L10S**  
 Haut-parleur  
 Haut-parleur de graves 25 cm (10 po), type en cône  
 Puissance de crête 1 200 W  
 Puissance nominale 330 W  
 Impédance 4 Ω  
 Sensibilité 88 dB/W/m  
 Réponse en fréquence 18 – 2 500 Hz  
 Poids Env. 3.9 kg (8 lb 10 oz) par haut-parleur  
 Accessoires fournis Eléments d'installation

*La conception et les caractéristiques techniques sont sujettes à modification sans préavis.*

**eco info** La prévention contre les chocs est assurée par une protection en carton ondulé.

**Subwoofer**

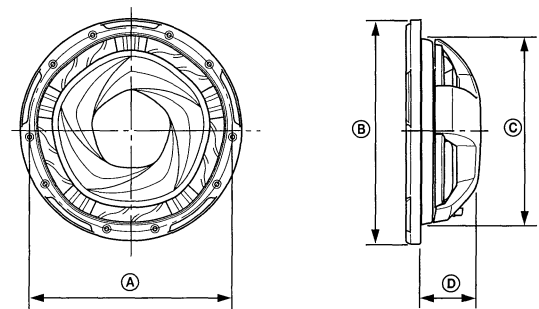
Installation/Connections  
 Installation/Connexions  
 Instalación/Conexiones

**XS-L12S**  
**XS-L10S**

© 2007 Sony Corporation Printed in Thailand

**Dimensions**  
**Dimensions**  
**Dimensiones**

Unit: mm (in)  
 Unité : mm (po)  
 Unidad: mm



	A	B	C	D
XS-L12S	ø307 (12 1/8)	ø330 (13)	ø277 (11)	80 (3 1/4)
XS-L10S	ø258 (10 1/4)	ø280 (11 1/8)	ø230 (9 1/8)	72.5 (2 7/8)

# Installation/Installation/Instalación

## Precautions

- Do not continuously use the speaker system beyond the peak power handling capacity.
- Keep recorded tapes, watches, and personal credit cards using magnetic coding away from the speaker system to protect them from damage caused by the magnets in the speakers.
- When installing the unit, be careful not to damage the diaphragm by hand or tools.
- The subwoofer is heavy, so attach it firmly to a solid thick, baffle plate or metal board.
- Make a woofer box, using wooden boards at least 19 mm (3/4 in)-thick.

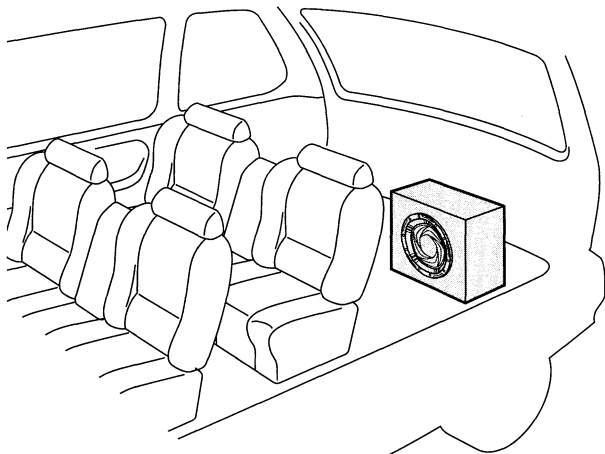
## Precauciones

- Procure no utilizar el sistema de altavoces de forma continua con una potencia que sobrepase la potencia admisible.
- Mantenga alejados del sistema de altavoces las cintas grabadas, relojes o tarjetas de crédito con codificación magnética para evitar daños que posiblemente causaría el imán de los altavoces.
- Al instalar la unidad, tenga cuidado de no dañar el diafragma con las manos o con alguna herramienta.
- El altavoz potenciador de graves es pesado. Por tanto, fíjelo firmemente a una placa de bafle sólida y gruesa o a una placa metálica.
- Construya una caja para el altavoz de graves utilizando tablas de madera con un espesor mínimo de 19 mm.

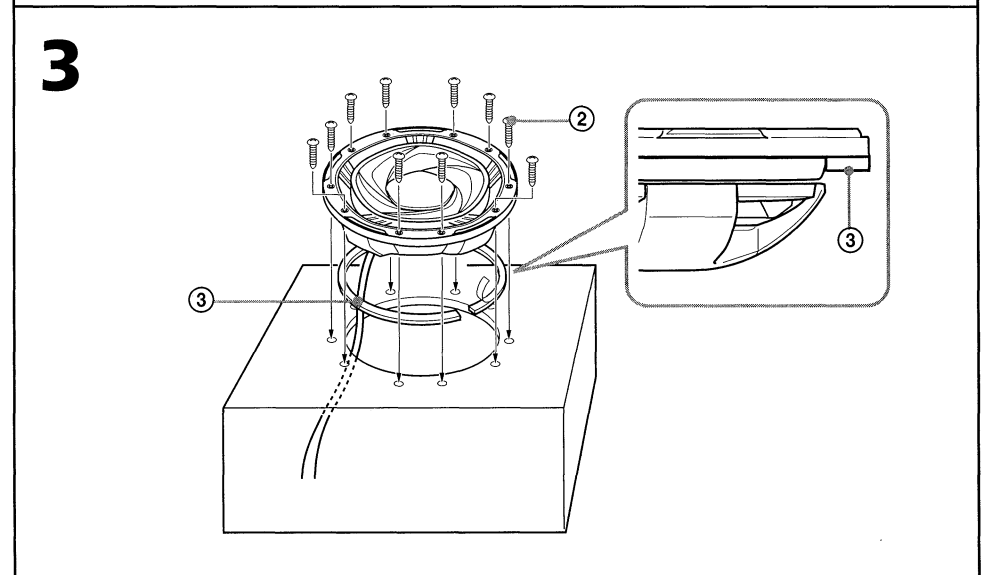
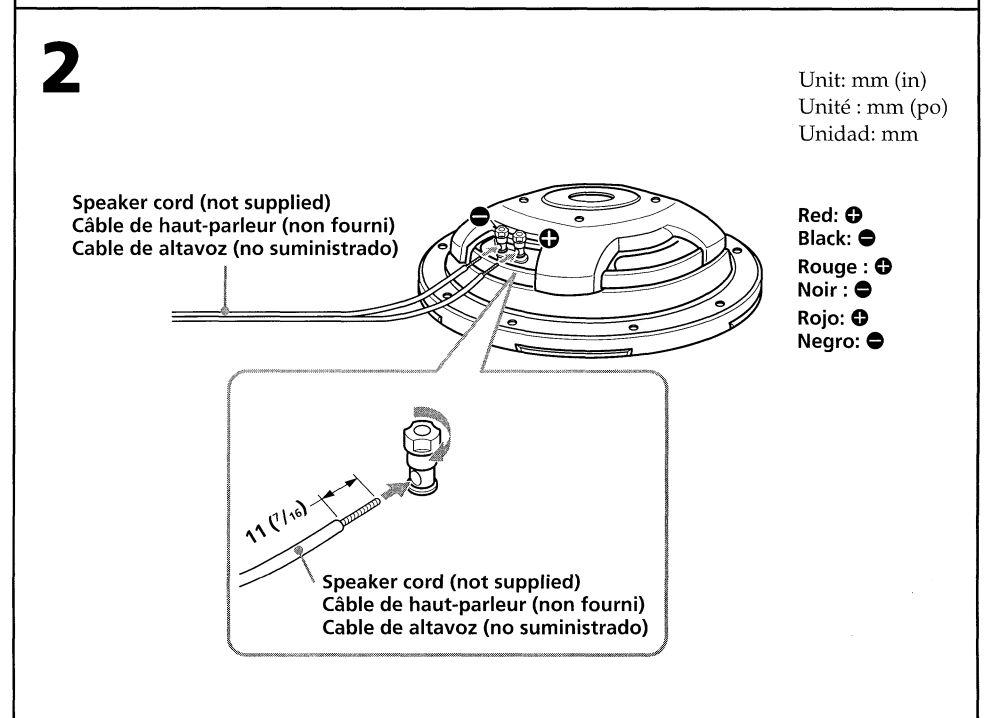
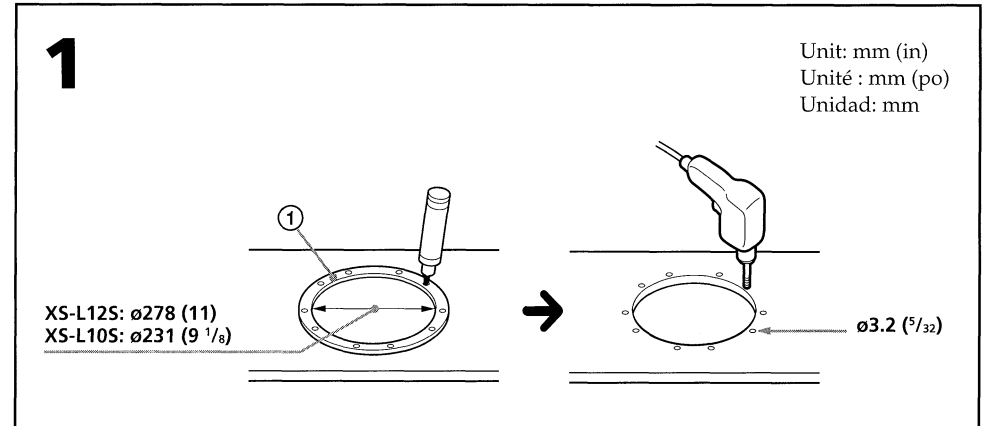
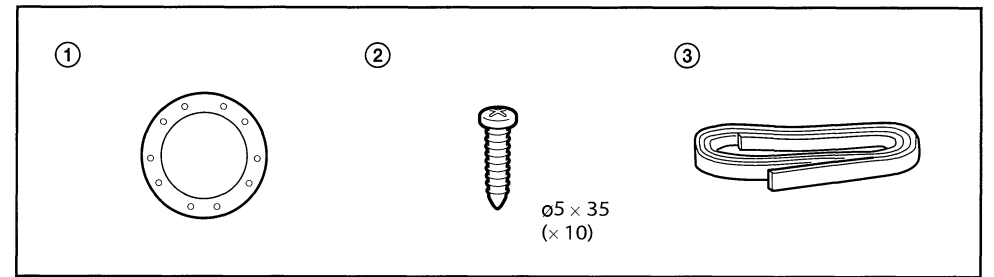
## Précautions

- Évitez de soumettre le système de haut-parleurs à une utilisation continue au-delà de la capacité de traitement de la puissance de crête.
- Tenez les cassettes enregistrées, les montres et les cartes de crédit utilisant un code magnétique à l'écart du système de haut-parleurs de manière à éviter tout dommage causé par les aimants intégrés dans les haut-parleurs.
- Lorsque vous installez l'appareil, veillez à ne pas endommager le diaphragme avec les mains ou un outil.
- Comme le caisson de basses est lourd, fixez-le sur un écran de haut-parleur épais et robuste ou sur une plaque métallique.
- Construisez un caisson de haut-parleur avec des planches d'au moins 19 mm d'épaisseur (3/4 po).

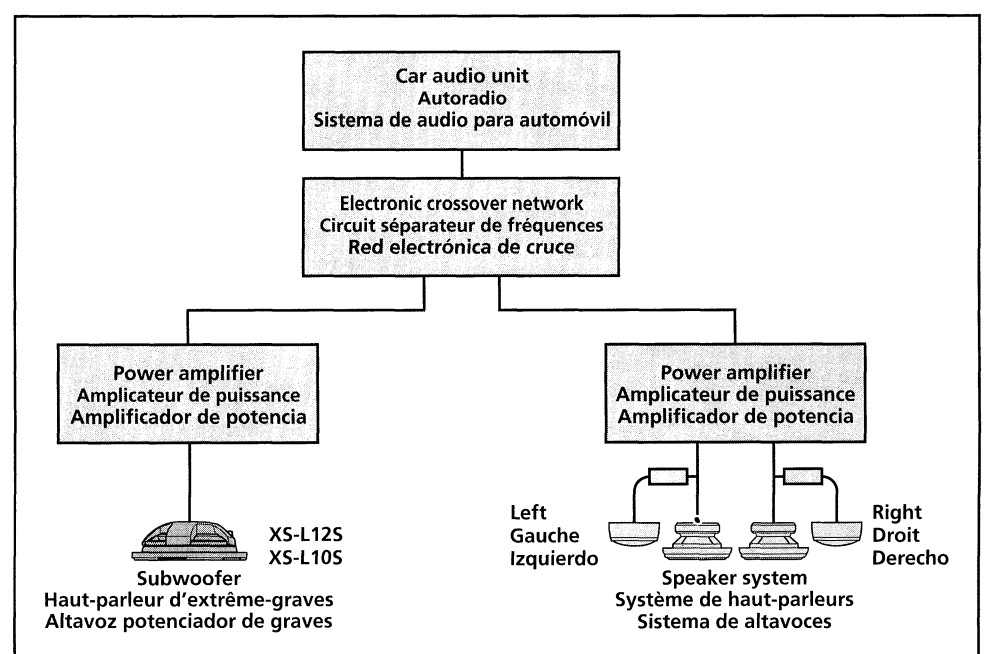
## Example/Exemple/Ejemplo



## Parts list/Liste des pièces/Lista de componentes



## Connections/Connexions/Conexiones



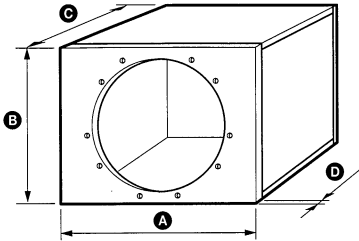
**Thiele/Small parameters**  
**Paramètres de Thiele-Small**  
**Parámetros "Thiele/Small"**

	XS-L12S	XS-L10S
Impedance , Impédance , Impedancia	4 Ω	4 Ω
d (mm)	250	217
d (inch)	9.8	8.5
Rdc (Ω)	3.6	3.7
Fs (Hz)	32.3	42.1
Qts	0.57	0.61
Qes	0.75	0.86
Qms	2.36	2.12
Vas (Lit.)	39.4	18.5
Vas (Cu.ft)	1.39	0.65
Mms (g)	211.2	150.6
Lvc (mH)	1.1	1.1
Xmax (mm)	5.7	6.2
Xmax (inch)	0.2	0.2
BL (Tm)	14.1	12.9
Enclosure vol. (Net) Vol. du boîtier (net) Vol. (neto) del alojamiento	26.9 Lit. (0.95 cu.ft)	16.1 Lit. (0.57 cu.ft)

Recommended Enclosure : Sealed type  
 Boîtier recommandé : de type scellé  
 Alojamiento recomendado: Sellado

# Enclosure design information/Informations de conception sur le boîtier/ Información sobre el diseño del receptáculo

## Sealed Type/Type scellé/Tipo sellado

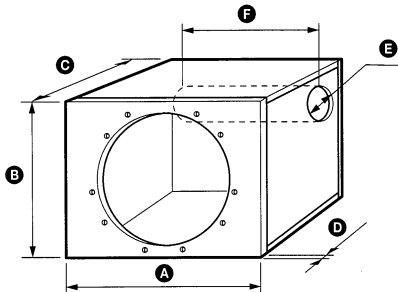


	<b>A</b>	<b>B</b>	<b>C</b>	<b>D</b>
<b>XS-L12S</b>	<b>749 (29<sup>1</sup>/<sub>2</sub>)</b>	<b>455 (18)</b>	<b>148 (5<sup>7</sup>/<sub>8</sub>)</b>	<b>19 (3<sup>3</sup>/<sub>4</sub>)</b>
<b>XS-L10S</b>	<b>603 (23<sup>3</sup>/<sub>4</sub>)</b>	<b>420 (16<sup>5</sup>/<sub>8</sub>)</b>	<b>139 (5<sup>1</sup>/<sub>2</sub>)</b>	<b>19 (3<sup>3</sup>/<sub>4</sub>)</b>

Unit: mm (in)  
Unité : mm (po)  
Unidad: mm

	<b>Enclosure Volume (Net)*</b>	
<b>XS-L12S</b>	<b>26.9 (0.95)</b>	<b>Lit. (Cu.ft)</b>
<b>XS-L10S</b>	<b>16.1 (0.57)</b>	<b>Lit. (Cu.ft)</b>

## Ported Type/Type à évent/Tipo abierto

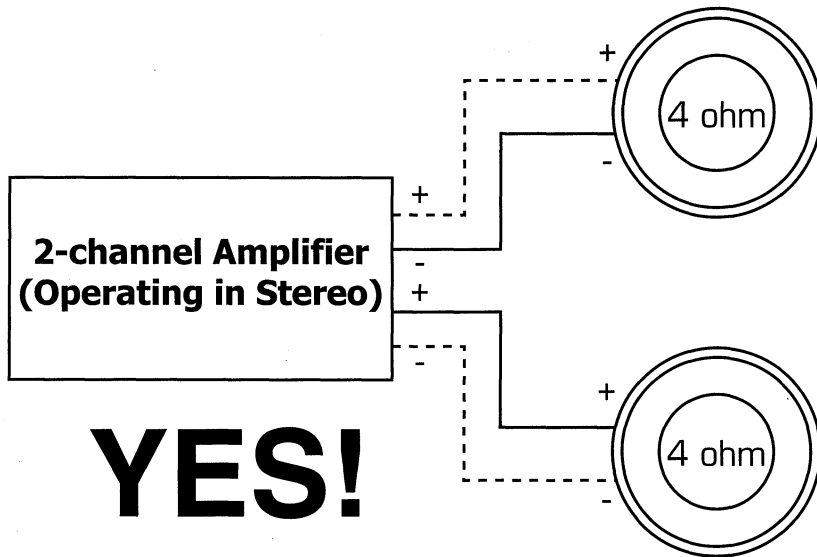
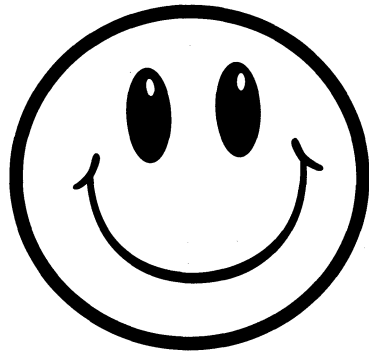


	<b>A</b>	<b>B</b>	<b>C</b>	<b>D</b>	<b>E</b>	<b>F</b>
<b>XS-L12S</b>	<b>721 (28<sup>1</sup>/<sub>2</sub>)</b>	<b>449 (17<sup>3</sup>/<sub>4</sub>)</b>	<b>149 (5<sup>7</sup>/<sub>8</sub>)</b>	<b>19 (3<sup>3</sup>/<sub>4</sub>)</b>	<b>ø76 (3)</b>	<b>400 (15<sup>3</sup>/<sub>4</sub>)</b>
<b>XS-L10S</b>	<b>521 (20<sup>5</sup>/<sub>8</sub>)</b>	<b>420 (16<sup>5</sup>/<sub>8</sub>)</b>	<b>135 (5<sup>3</sup>/<sub>8</sub>)</b>	<b>19 (3<sup>3</sup>/<sub>4</sub>)</b>	<b>ø76 (3)</b>	<b>390 (15<sup>3</sup>/<sub>8</sub>)</b>

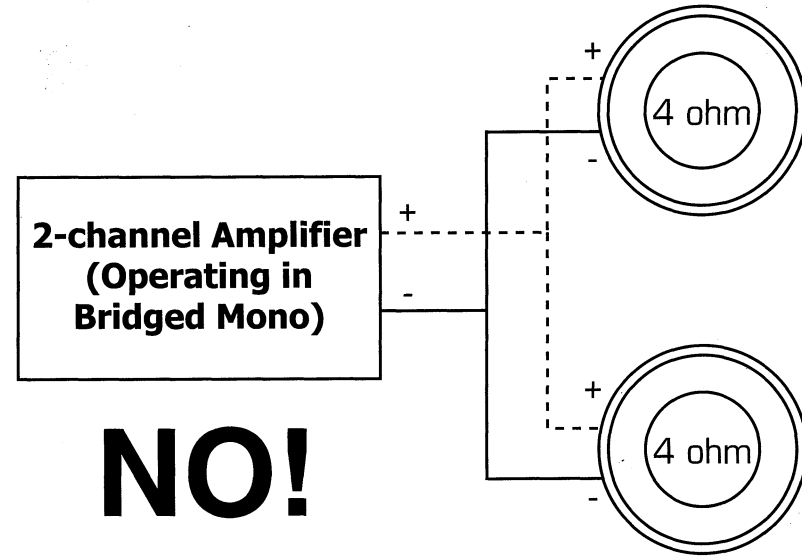
Unit: mm (in)  
Unité : mm (po)  
Unidad: mm

	<b>Enclosure Volume (Net)*</b>	
<b>XS-L12S</b>	<b>25.5 (0.90)</b>	<b>Lit. (Cu.ft)</b>
<b>XS-L10S</b>	<b>12.2 (0.43)</b>	<b>Lit. (Cu.ft)</b>

# SONY



Two 4-ohm speakers, wired in stereo, will present a 4 ohm load to each channel of the amplifier. Most two-channel amplifiers will work well in this configuration.



Two 4-ohm speakers, wired in parallel to a bridged two-channel amplifier, will present a 2-ohm mono load to the amplifier. **MOST TWO-CHANNEL AMPLIFIERS DO NOT SUPPORT 2-OHM MONO OPERATION! AMPLIFIER DAMAGE COULD RESULT!**

# Consumer 1 Year Warranty

# SONY®

Sony of Canada Ltd. (hereinafter referred to as "Sony") hereby warrants, subject to the terms and conditions herein set forth, this product against defect in material and workmanship during the specified warranty period. In the event of a defect of material or workmanship during the specified warranty period, Sony will repair the same, effecting all necessary parts replacements with either new or refurbished parts, without charge for either parts or labour.

## The warranty period is as follows:

1. Labour: ONE year from the date of original purchase at retail.
2. Parts: ONE year (Thermal Head, Projector Lamp: 90 days) from the date of original purchase at retail.

## Conditions

### Unauthorized Repair, Abuse, Etc.:

The unit must not have been previously altered, modified, repaired or serviced by anyone other than the service facilities authorized by Sony to render such services. The serial number on the unit must not have been altered or removed. The unit must not have been subject to accident, misuse, abuse or operated contrary to the instructions contained in the Owner's Manual, or used for commercial purposes, or used as a rental unit at any time prior to or after original purchase at retail. Should this unit be used for commercial purposes, or rental, Sony's standard commercial warranty will apply. The opinion of Sony with respect to this matter shall be final.

### Proper Delivery:

The unit must be shipped, freight prepaid, or delivered to one of the nearest Sony service facilities in Canada in either its original package or similar package affording an equal degree of protection, and with instructions indicating a location within Canada to which the unit must be returned. The repaired unit will be returned to customer freight prepaid. All accessories that are enclosed with the unit must be listed individually on the packing slip for the shipping documentation. Sony shall have no liability whatsoever for loss or damage to such accessories if they are not listed. Defective accessories should be returned to Sony as a separate repair item.

On Site Service for Direct-View Television (22 inch and above) and Projection TV: This service only applies to a customer living within a 50km radius of an authorized Sony service facility whose residence can be accessed by an on-road service vehicle.

### Proof of Date Purchase:

This limited warranty applies to the product from the original date of purchase at retail. Therefore, the owner must furnish proof of original purchase at retail.

### Subject Products:

This limited warranty is applicable to the following Sony products:

Audio/Video Accessories  
Car Audio/Video Products  
CRT Projection Televisions  
Clock Radio/with CD Player  
DAV Home Theatre System  
Digital Audio Tape Recorders Walkman  
Digital Photo Printers/Scanners  
Digital Still Camera  
Digital 8 Camcorders and related accessories  
Digital Video Cassette Recorders and related accessories  
Digital Voice Recorder  
Direct-View Televisions

DVD Camcorder  
DVD Players and Recorders  
IC Chip Recorders  
LCD Projectors  
LCD Rear Projection TV  
LCD TV  
Location Free TV (LFX)  
Micro MV Camcorder  
Micro/Mini Home Audio Systems  
Microcassette recorder  
Mini DV Camcorder  
Net MD/H-MMD Walkman  
Network Walkman  
Plasma TV  
Portable CD Players/ with Radio  
Portable DVD Players  
Portable Headset Stereo Radios  
Portable MiniDisc Recorder/Players  
Portable Radio CD Players /with Cassette  
Portable Radio  
Radio Cassette Combinations  
Tape Recorders  
Tape Walkman  
Video Cassette Recorders and related accessories  
Video Walkman

This limited warranty may be applicable to other Sony products, where the limited warranty is enclosed in the product's original packaging.

This limited warranty does not extend to broken or damaged cabinets, accessories, batteries, exposed antennas and styluses, or to parts wearing out due to normal wear and tear. This limited warranty does not cover regular product maintenance such as cleaning, lubrication or check-ups.

### This warranty is valid only in Canada.

EXCEPT TO THE EXTENT PROHIBITED BY APPLICABLE LAW, ALL OTHER WARRANTIES AND CONDITIONS, EXPRESS OR IMPLIED, AND WHETHER ARISING BY LAW, BY STATUTE, BY COURSE OF DEALING OR USAGE OF TRADE, INCLUDING WITHOUT LIMITATION IMPLIED WARRANTIES OF MERCHANTABILITY, MERCHANTABLE QUALITY AND FITNESS FOR A PARTICULAR PURPOSE ARE DISCLAIMED. UNDER NO CIRCUMSTANCES SHALL SONY BE LIABLE FOR AN AMOUNT GREATER THAN THE ACTUAL PURCHASE PRICE OF THE UNIT OR FOR ANY SPECIAL, INCIDENTAL OR CONSEQUENTIAL DAMAGES SUSTAINED IN CONNECTION WITH SAID UNIT AND SONY NEITHER ASSUMES NOR AUTHORIZES ANY REPRESENTATIVE OR OTHER PERSON TO ASSUME FOR IT ANY OBLIGATION OR LIABILITY OTHER THAN SUCH AS IS EXPRESSLY SET FORTH HEREIN. SOME JURISDICTIONS DO NOT ALLOW THE EXCLUSION OF IMPLIED WARRANTIES AND CONDITIONS.

### Product Registration:

Thank you for choosing a Sony product. At Sony, we strive to create products of the highest quality to enhance your experience and enjoyment. To provide the best support for your product, we request that you complete a product registration form at [www.SonyStyle.ca/registration](http://www.SonyStyle.ca/registration) within ninety (90) days of purchase.

For service assistance, product information, or product registration please call: 1-877-899-7669.

For information about a Sony Care Extended Warranty, please call 1-800-773-9667.

**For online product support and updates at any time, please visit:** [www.sony.ca/sonyca/view/english/support\\_electronics.shtml](http://www.sony.ca/sonyca/view/english/support_electronics.shtml), **or call the Sony Customer Information Centre at 1-877-899-7669.**

**SONY®****Car Audio Speakers**

# LIMITED WARRANTY

Sony Electronics Inc. ("Sony") warrants this Product (including any accessories) against defects in material or workmanship as follows:

1. For a period of one (1) year from the date of purchase if this Product is determined to be defective, Sony will replace the Product at no charge through your Sony authorized dealer or Laredo Fulfillment Center. After this one (1) year period, you must pay for the replacement unit. This warranty does not cover costs incurred in connection with the removal and re-installation of radios, speakers or accessories, nor does it cover any other contingent expenses.

2. To obtain warranty service, you must take the Product, or deliver the Product freight prepaid, in either its original packaging or packaging affording an equal degree of protection, to any Factory Sony Service facility or to the Laredo Fulfillment Center. See below for additional information.

This warranty does not cover customer instruction, installation, set up adjustments or signal reception problems.

This warranty does not cover cosmetic damage or damage due to acts of God, accident, misuse, abuse, negligence, commercial use, or modification of, or to any part of the Product, including the antenna. This warranty does not cover damage due to improper operation or maintenance, connection to improper voltage supply, or attempted repair by anyone other than a facility authorized by Sony to service the Product. This warranty does not cover Products sold AS IS or WITH ALL FAULTS, or consumables (such as fuses or batteries). This warranty is valid only in the United States.

Proof of purchase in the form of a bill of sale or receipted invoice which is evidence that the unit is within the Warranty period must be presented to obtain warranty service.

This warranty is invalid if the factory applied serial number has been altered or removed from the Product.

**REPAIR OR REPLACEMENT AS PROVIDED UNDER THIS WARRANTY IS THE EXCLUSIVE REMEDY OF THE CONSUMER. SONY SHALL NOT BE LIABLE FOR ANY INCIDENTAL OR CONSEQUENTIAL DAMAGES FOR BREACH OF ANY EXPRESS OR IMPLIED WARRANTY ON THIS PRODUCT. EXCEPT TO THE EXTENT PROHIBITED BY APPLICABLE LAW, ANY IMPLIED WARRANTY OF MERCHANTABILITY OR FITNESS FOR A PARTICULAR PURPOSE ON THIS PRODUCT IS LIMITED IN DURATION TO THE DURATION OF THIS WARRANTY.**

Some states do not allow the exclusion or limitation of incidental or consequential damages, or allow limitations on how long an implied warranty lasts, so the above limitations or exclusions may not apply to you. In addition, if you enter into a service contract with the Sony Partnership within 90 days of the date of sale, the limitation on how long an implied warranty lasts does not apply to you. This warranty gives you specific legal rights, and you may have other rights which vary from state to state.

The address of the Laredo Fulfillment Center is:

**Laredo Fulfillment Center**  
10227 Crossroads Loop Suite B  
Laredo, TX 78045

For your convenience, Sony Electronics Inc. has established telephone numbers for frequently asked questions:

To locate the servicer or dealer nearest you, or for service assistance or resolution of a service problem, or for product information or operation, call:

**Sony Customer Information Services Center**  
1-800-222-7669  
or visit the Sony Web Site:  
[www.sony.com](http://www.sony.com)

For an accessory or part not available from your authorized dealer, call:

1-800-488-SONY (7669)