

# Subwoofer

HAUT-PARLEUR D'EXTRÊME GRAVE

## KFC-W3013PS

- Step up for Bass Sound
- 30 cm [12 in.] PP Cone Woofer



### SPECIFICATIONS

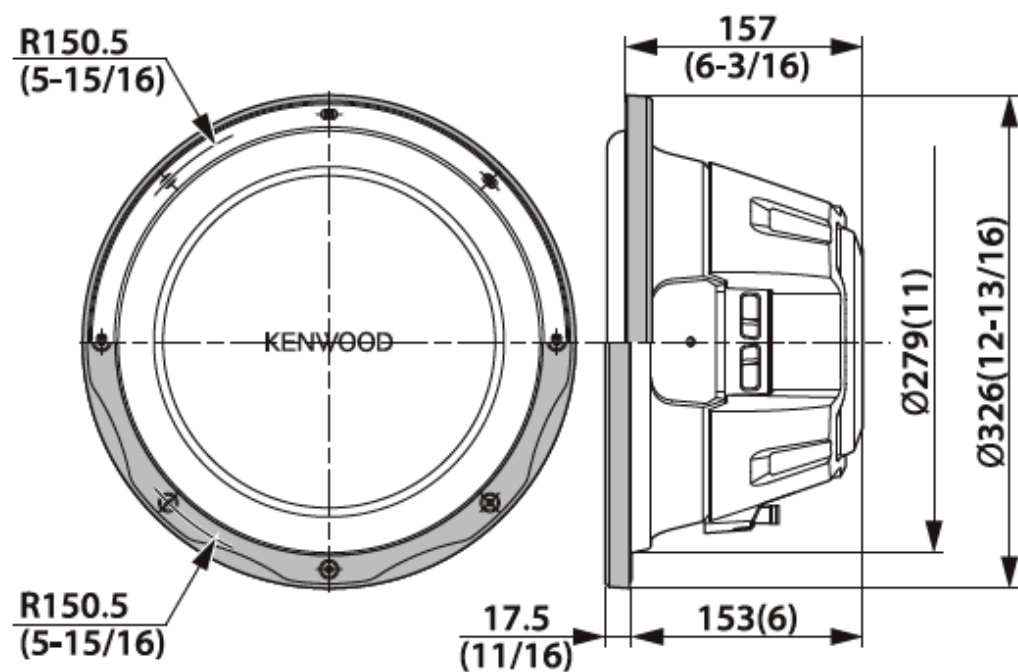
- 400 Watts RMS
- Impedance.....4 Ω
- Cutout Diameter.....11 in. (27.9 cm) Circle
- Mounting Depth.....6 in. (15.3 cm)

### Dimensions

Dimensions

Dimensiones

Dimensões



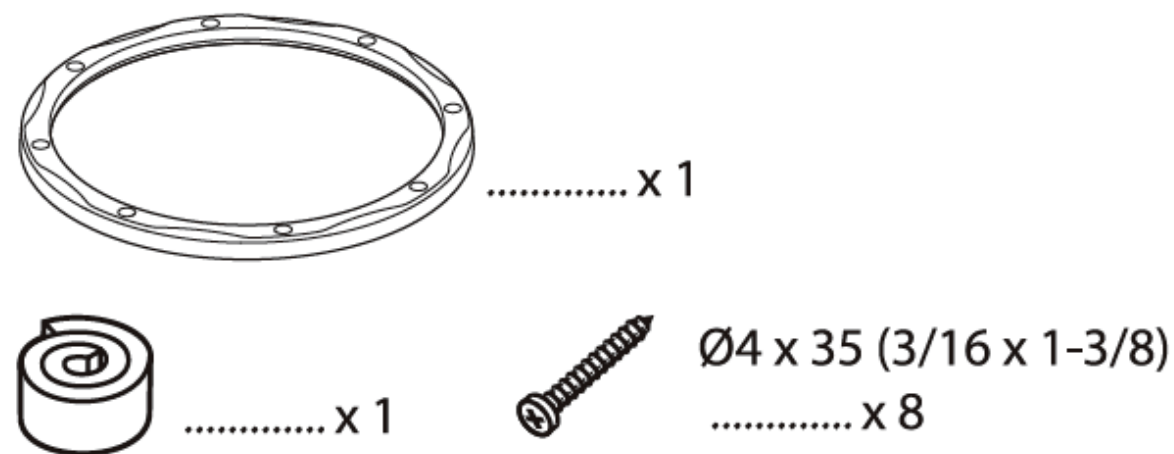
Unit:mm(inch)  
Unitè:mm(pouces)

### Parts included

Pieces comprises

Partes incluidas

Peças inclusas

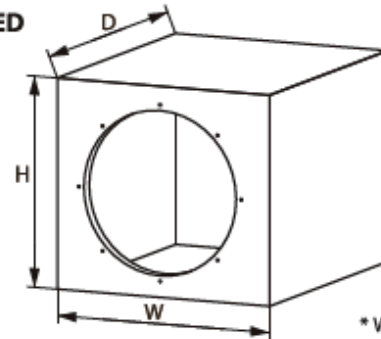


## Technical specifications

	SYMBOL	UNIT	VALUE
Nominal Impedance	Z	$\Omega$	4
DC Resistance	Revc	$\Omega$	3.4
Voice Coil Inductance	Levc	mH	1.65
Piston Area	Sd	sq.m	0.051
Force Factor	BL	T-m	10.5
Volume Acoustic Compliance	Vas	liter	83.7
		cu.ft	2.956
Moving Mass	Mms	g	183.0
Resonance Frequency	Fs	Hz	25
Mechanical Q Factor	Qms		8.250
Electrical Q Factor	Qes		0.910
Total Q Factor	Qts		0.820
Peak Excursion	Xmax	mm	15.1
Displacement		cc	2155
		cu.ft	0.072
Mounting Depth		mm (inch)	153 (6)
Voice Coil Diameter		mm (inch)	65 (2-9/16)
Weight of Magnet		g (oz)	1780 (62.7)
Net Weight		kg (lb)	6.3 (13.9)
Sensitivity		dB/W at 1m	85
Frequency Response		Hz	34 ~ 300

## Recommended Enclosures

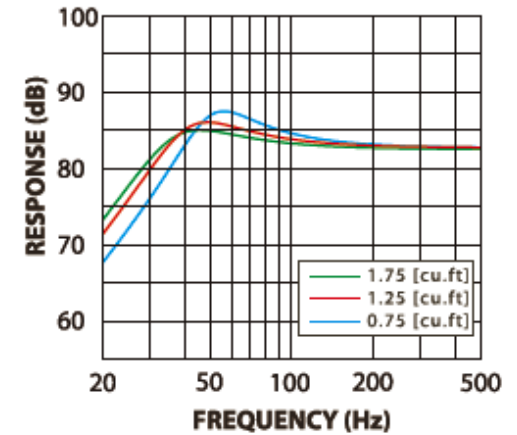
### SEEALED



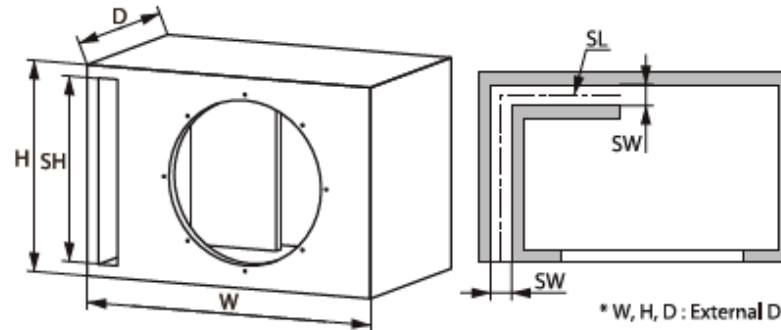
\* W, H, D : External Dimensions

Type	Inner Volume	W	H	D	Mounting Hole	Displacement
SEALED	1.25 cft (35.4 Liter)	457 mm (18")	362 mm (14-1/4")	299 mm (11-3/4")	282 mm (11-1/8")	0.072 cu.ft (2.155 Liter)

Use 19 mm (3/4 inch) thick Medium Density Fiberboard (MDF) or High Density Partideboard.



### PORTED



\* W, H, D : External Dimensions

Type	Inner Volume	W	H	D	Mounting Hole	SW	SH	SL	Displacement
PORTED	2.0 cft (56.6 Liter)	590 mm (23-1/4")	362 mm (14-1/4")	355 mm (14")	282 mm (11-1/8")	38 mm (1-1/2")	324 mm (12-3/4")	546 mm (21-1/2")	0.072 cu.ft (2.155 Liter)

Use 19 mm (3/4 inch) thick Medium Density Fiberboard (MDF) or High Density Partideboard.

