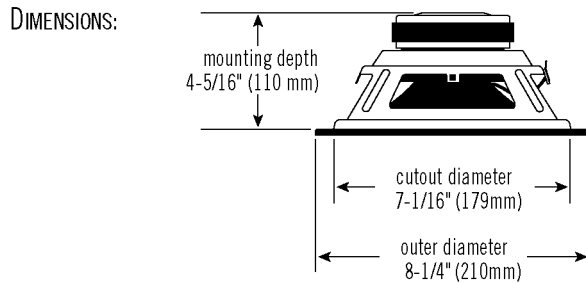


# GTO 804 8" Woofer – Technical Data

## SPECIFICATIONS

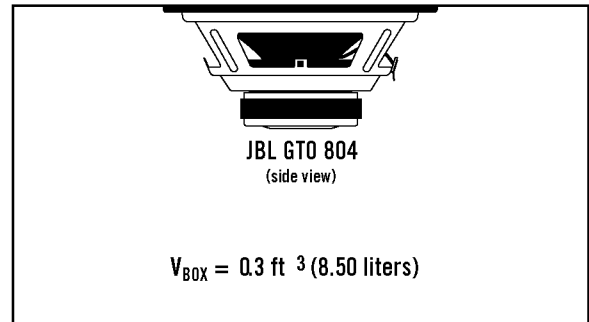
DIAMETER:	8" (203mm)
SENSITIVITY (2.83 V @ 1 m):	91 dB
POWER HANDLING:	200 W <sub>RMS</sub> 800 W <sub>PEAK</sub>
FREQUENCY RESPONSE:	30 ~ 400 Hz
NOMINAL IMPEDANCE:	4 OHMS
VOICE-COIL DIAMETER:	2.0" (51.0 mm)



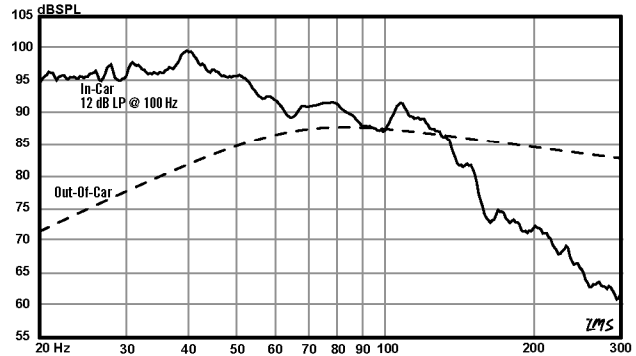
## THIELE-SMALL PARAMETERS

VOICE COIL DC RESISTANCE:	$R_{EVC}$ (OHMS) . . . . . 3.49
VOICE COIL INDUCTANCE @ 1 kHz:	$L_{EVC}$ (MH) . . . . . 1.64
DRIVER RADIATING AREA:	$S_D$ (IN <sup>2</sup> ) . . . . . 33.17
	$S_D$ (M <sup>2</sup> ) . . . . . 214.00
MOTOR FORCE FACTOR:	$BL$ (TM) . . . . . 12.88
COMPLIANCE VOLUME:	$V_{AS}$ (FT <sup>3</sup> ) . . . . . 0.58
	$V_{AS}$ (LITERS) . . . . . 16.42
SUSPENSION COMPLIANCE:	$C_{MS}$ (μM/N) . . . . . 251.00
MOVING MASS, AIR LOAD:	$M_{MS}$ (GRAMS) . . . . . 115.00
MOVING MASS, DIAPHRAGM:	$M_{MD}$ (GRAMS) . . . . . 113.20
FREE-AIR RESONANCE:	$F_S$ (Hz) . . . . . 29.60
MECHANICAL Q:	$Q_{MS}$ . . . . . 6.37
ELECTRICAL Q:	$Q_{ES}$ . . . . . 0.450
TOTAL Q:	$Q_{TS}$ . . . . . 0.42
MAGNETIC-GAP HEIGHT:	$H_{AG}$ (IN) . . . . . 3/8
	$H_{AG}$ (MM) . . . . . 9.00
VOICE-COIL HEIGHT:	$H_{VC}$ (IN) . . . . . 1-1/4
	$H_{VC}$ (MM) . . . . . 32
MAXIMUM EXCURSION:	$X_{MAX}$ (IN) . . . . . 7/16
	$X_{MAX}$ (MM) . . . . . 11.50

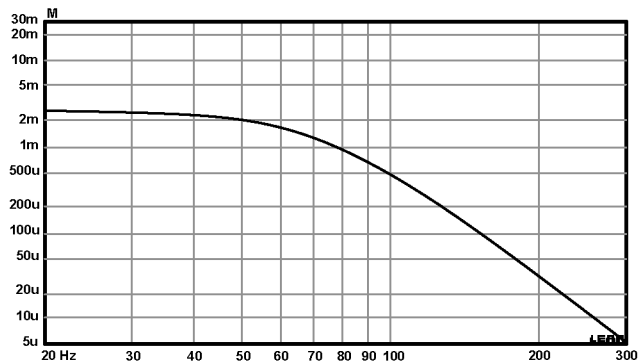
## SEALED BOX VOLUME (INCLUDES DRIVER DISPLACEMENT)

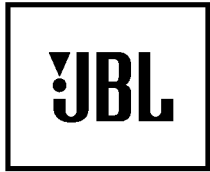


## SEALED ENCLOSURE FREQUENCY RESPONSE @ 2.83 V



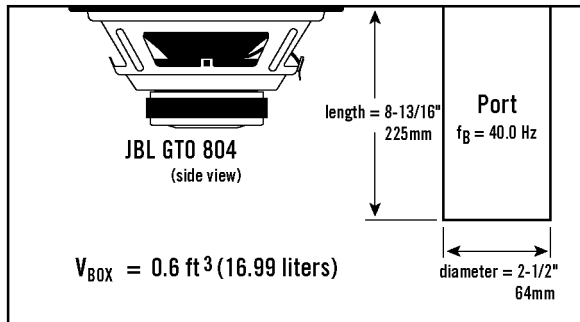
## SEALED ENCLOSURE CONE EXCURSION @ 200 W



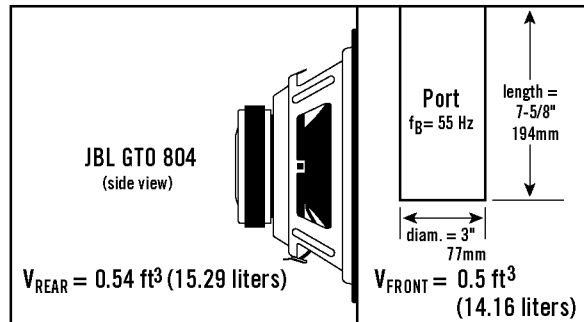


# GTO 804 8" Woofer – Technical Data

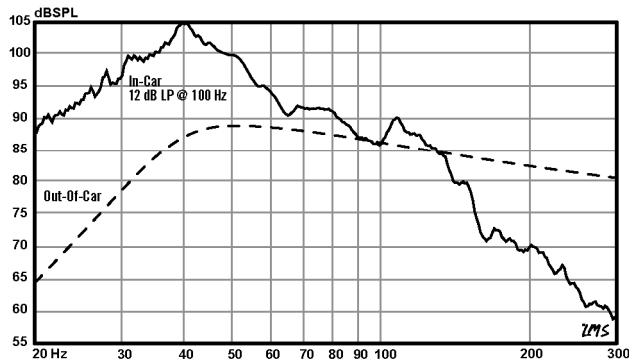
## VENTED BOX VOLUME (INCLUDES DRIVER/PORT DISPLACEMENTS)



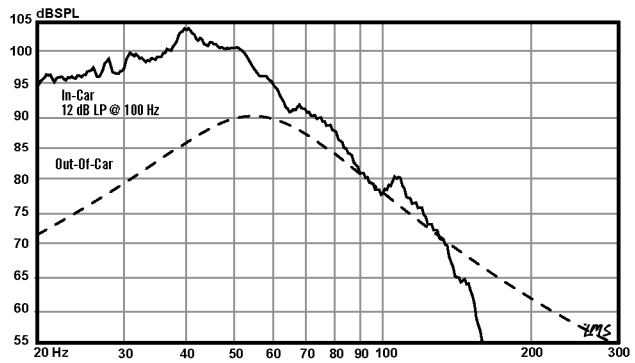
## BANDPASS BOX VOLUME (INCLUDES DRIVER/PORT DISPLACEMENTS)



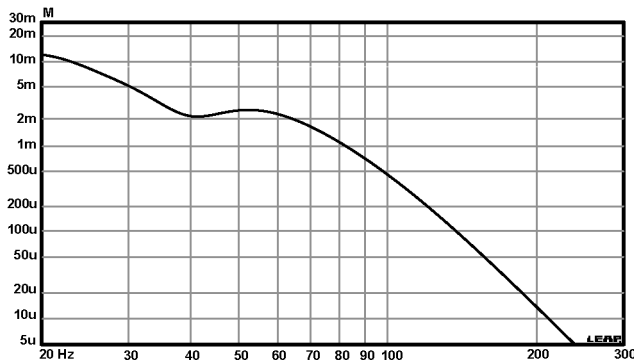
## VENTED ENCLOSURE FREQUENCY RESPONSE @ 2.83 V



## BANDPASS ENCLOSURE FREQUENCY RESPONSE @ 2.83 V



## VENTED ENCLOSURE CONE EXCURSION @ 200 W



## BANDPASS ENCLOSURE CONE EXCURSION @ 200 W

