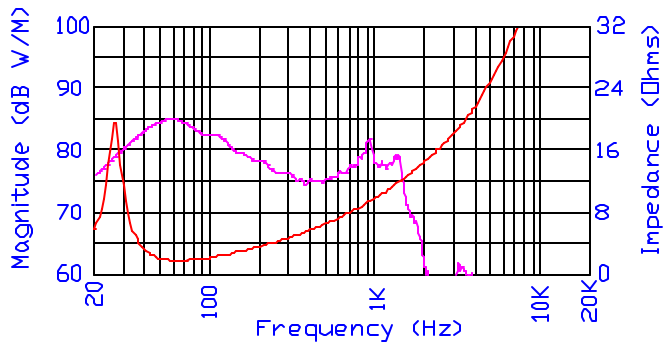


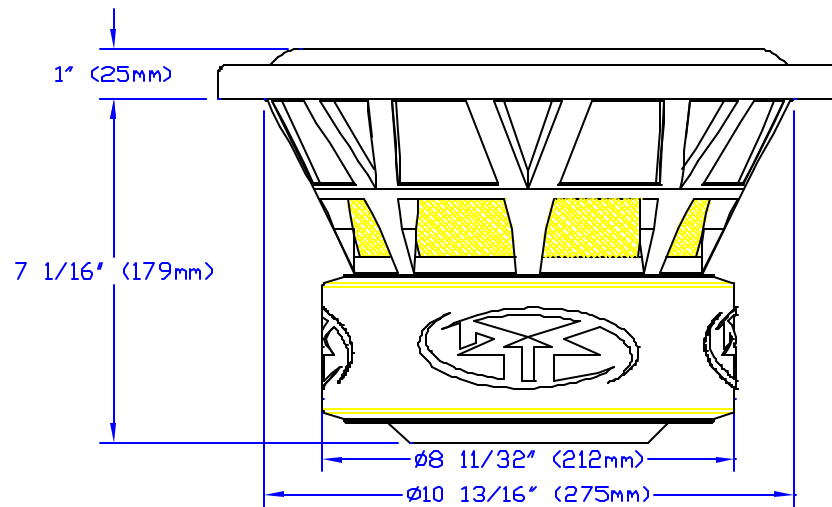
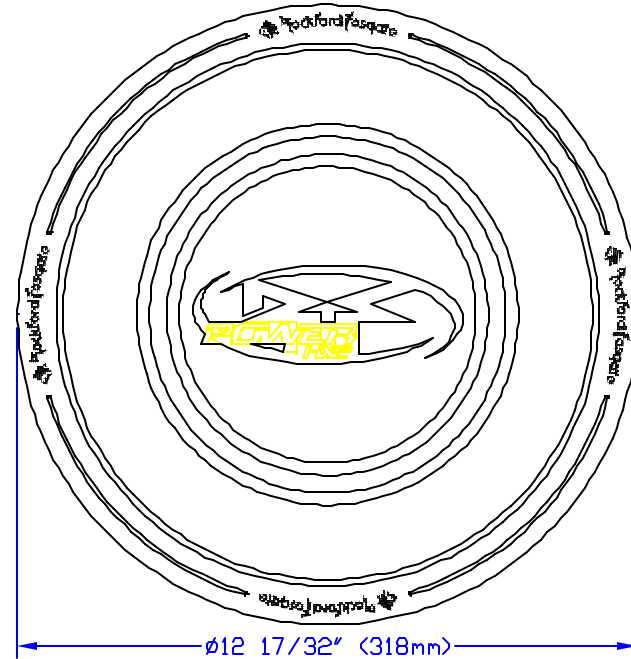
# TECHNICAL SPECIFICATIONS

Product Name	RFR3112
Nominal Diameter	12 In (305mm)
Magnet Weight	203oz (5755g)
Frequency Range	26-200Hz
Nominal Impedance	2 x 2 Ohms
DC Resistance (Re)	2 x 2.12 Ohms
Resonance Frequency (Fs)	26Hz
Total Q Factor (Qts)	0.34
Electrical Q Factor (Qes)	0.37
Mechanical Q Factor (Qms)	5.637
Effective Cone Area (SD)	84 In <sup>2</sup> (0.054m <sup>2</sup> )
Equivalent Air Volume (Vas)	1.15 ft <sup>3</sup> (32.7 L)
Compliance (Cms)	1.06E-04 m/N
Moving Mass (Mms)	12.35oz (350g)
Voice Coil Diameter	4 In (102mm)
Voice Coil Winding Width	1.98 In (50.3mm)
Voice Coil Former Material	5 Mil Aluminum
Voice Coil Inductance	1.78mH
Force Factor (BL)	13.88Tm
Linear Excursion (Xmax)	0.74 In (19mm)
Sensitivity (SPL)	85.3dB
Operating Power (PE)	1000W RMS/2000W Peak

Specifications May Vary Per Manufacturing Tolerances And Are Subject To Improvement Without Notice.  
 Thiele-Small Data Measured With Both Voice Coils Wired In Parallel.



(8)  $\phi 1/4"$  Holes On A  $\phi 11 9/16"$  Mtg. Dia.  
 (Not Shown, Beneath CONCealer Gasket)



PRODUCT(S):

**RFR3112**

DATE: 21-MAY-2001

APPR BY:

CONFIDENTIAL COPYRIGHT 1997 ROCKFORD CORPORATION.

SCALE: 1/4 x FULL

DRWN BY: DAW

This drawing is the property of Rockford Corporation and embodies confidential information, trade secret information, and/or know-how which is the property of Rockford Corporation. By accepting this drawing, the recipient agrees not to provide, or otherwise make available, the drawing, or any information or know-how embodied therein, to any third party without prior written authorization.

DESCRIPTION:

12" POWER HX2 WOOFER

RELEASE: #1

DRWN IN AUTOCAD 14

ROCKFORD ACOUSTIC DESIGNS

609 Myrtle NW  
 Grand Rapids, MI 49504  
 Phone: 616-456-9528  
 Fax: 616-456-5648

