



10PW8

Professional woofer 10 " designed to meet the diverse needs of midrange sound and small environments, with excellent performance when playing mid and low frequencies. Suitable for sound reinforcement in nightclubs, clubs, halls, auditoriums, musical ensembles and also for caregivers boxes. Its great efficiency in sound reproduction is due to the excellent combination of its components:

- Pulp manufactured using MCF cone technology (Multi Fiber Composite), provides a high mechanical strength to the mobile set.
- Impregnated tissue suspension to provide great mobile set stability, high output and low distortion.
- The voice coil is made of wire resistant to high temperatures and molded into a Kapton®.
- Basket sheet steel reinforced with epoxy paint, gives the high joint strength.

SPECIFICATIONS AND THIELE-SMALL PARAMETERS

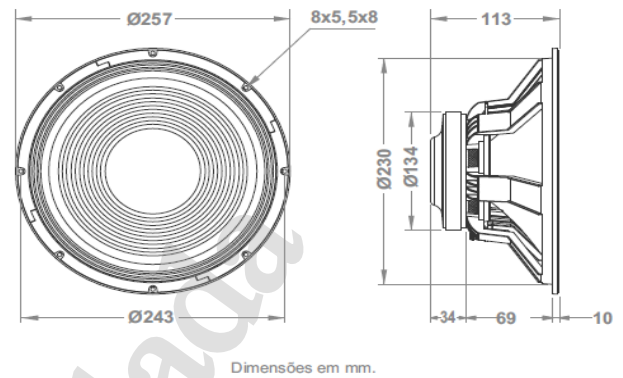
Nominal diameter:	254 (10)	mm (in)
Nominal impedance:	8	Ω
Power handling:		
Peak power:	800	W
Nominal power (RMS): ¹	400	W
¹ RMS power value of the amplifier to be used.		
Frequency response @ -10 dB:	60 to 4000	Hz
Sensitivity (1W @ 1m):	91,72	dB SPL
Fs:	78,10	Hz
Vas:	22,48 (0,79)	l (ft³)
Qts:	0,99	
Qes:	1,10	
Qms:	9,69	
ηo (half space):	0,94	%
Sd:	0,035 (54,25)	m² (in²)
Vd (Sd x Xmax):	140 (8,54)	cm³ (in³)
βL:	8,73	Tm
Re: (if DVC, voice coils are serie)	5,32	Ω
Mms:	32,05 (0,071)	g (lb)
Cms:	130,00	μm/N
Rms:	1,62	kg/s
Xmax (max. excursion (peak) with 10% distortion):	4 (0,16)	mm (in)
Xlim (max. excursion (peak) before physical damage):	13 (0,51)	mm (in)
Hvc (voice coil winding depth):	12 (0,47)	mm (in)
Hag (air gap height):	8 (0,31)	mm (in)
Le @ 1 kHz (voice coil inductance @ 1kHz):	0,92	mH
Minimum recommended crossover (12 dB / oct)	60,00	Hz

Thiele-Small parameters are measured after a 2-hour power test using half AES power. Xmax is calculated as (Hvc-Hag)/2 + (Hag/4) where Hvc is the coil depth and Hag is the GAP depth.

MOUNTING INFORMATION

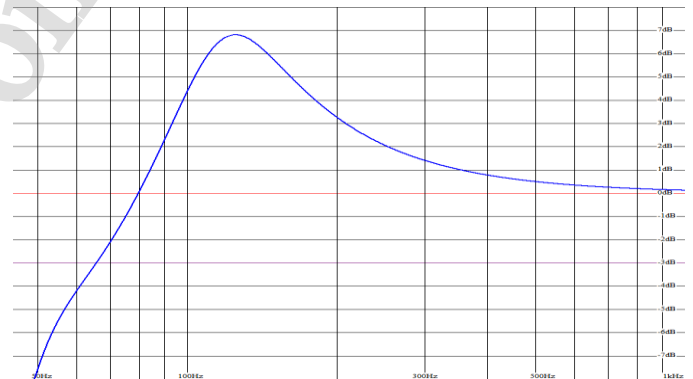
Polarity:	Positive voltage applied to the positive terminal (red) gives forward cone motion.
Minimum clearance between the back of the magnetic assembly and the enclosure wall:	5 (2,95275) mm (in)

MOUNTING INFORMATION



SUGGESTED ENCLOSURES

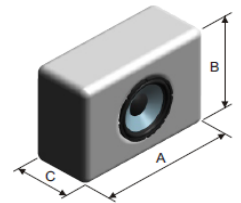
Closed Box	15	l
Vented Box		
Internal volume	25	l
Duct (s) - Qty.	1	unid.
Diameter	7,5	cm
Length	3,7	cm



ENCLOSURE INTERNAL VOLUME CALCULATION INSTRUCTIONS

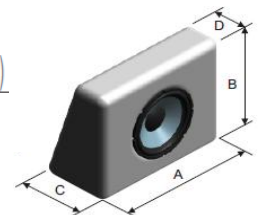
Rectangular

$$\text{Internal volume} = \frac{A \times B \times C}{1000}$$



Trapezoid rectangular

$$\text{Internal volume} = \frac{A \times B \times \left(\frac{C+D}{2}\right)}{1000}$$



A, B and D are internal dimension (in cm). The internal volume result is given in liters.

